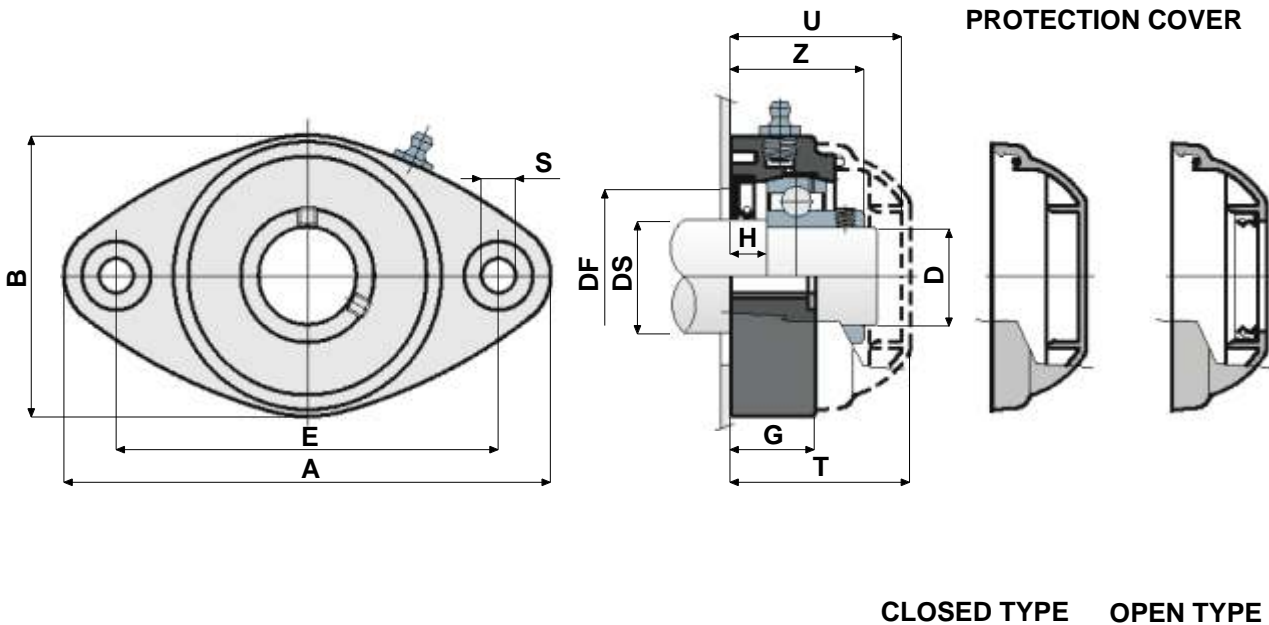


# Technical data

## UCFL/CS Series



CROME STEEL BEARING																			
DS	D	SERIES	CODES Support	DIMENSIONS (mm)											Bearing load (N)		Bearing support load (N)	CODES Cover	
				E	A	B	S	G	H	Z	U	T	DF <sub>Max</sub>	DF <sub>Min</sub>	C	C <sub>0</sub>		CLOSED TYPE	OPEN TYPE
25	20	UCFL 204 CS	<b>80266</b>	90	118	64	10.5	19	8.5	33.5	44	46.5	45	40	12800	6600	8500	<b>80254</b>	<b>80255</b>
30	25	UCFL 205 CS	<b>80184</b>	99	131	72	10.5	22	10	36	47	49	50	45	14000	7800	10000	<b>80075</b>	<b>80076</b>
35	30	UCFL 206 CS	<b>80185</b>	117	149	86	10.5	26	11.5	41	54	56	60	50	19500	11300	13000	<b>80011</b>	<b>80053</b>
40	35	UCFL 207 CS	<b>80186</b>	130	163	94	10.5	26	10.5	45	57	59	70	55	25500	15300	14000	<b>80077</b>	<b>80078</b>

**MATERIALS :** Support made out of PA+glass fiber; chrome steel bearing; greaser made out of nickel plated brass; reinforcement bushings and washers made out of stainless steel AISI 304; gaskets made out of NBR rubber; cover made out of polypropylene, grey colour RAL 7042.

**FEATURES:** Back gasket for shouldered shafts. Use of shouldered shafts allows a higher capability of axial load.  
Maximum shaft alignment error 2.5°.

**PACKAGING:** 8 pieces.

**ON REQUEST :** Antibacterial executions and versions with polypropylene + glass fiber support; protection cover in different colours and with personalized brand; bearing made out of AISI 440C stainless steel.