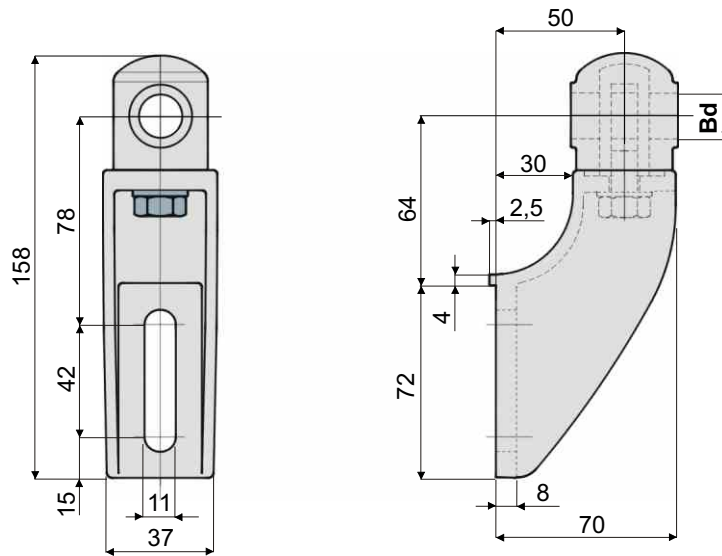
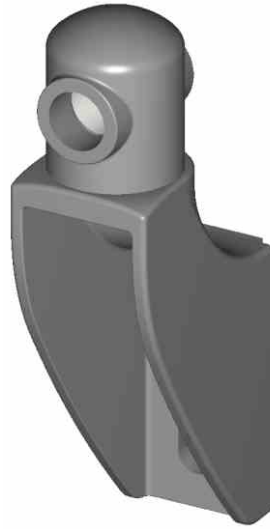


# Guide rail bracket (with adjustable head)

Part. 217



Bd Bore for pin of (mm)	Code/Codice
12	217 / 80760
14	217 / 80761
16	217 / 80762

**MATERIALS:** Bracket and head made out of reinforced polyamide, eyebolt made out of nickel plated brass, nut and washer made out of stainless steel AISI 304.

**FEATURES:** Max tightening torque 4 kgm.

**PACKAGING:** 24 pieces.

**ON REQUEST:**

**Brackets:** In reinforced polypropylene, other colours.

**Packaging:** Not standard.