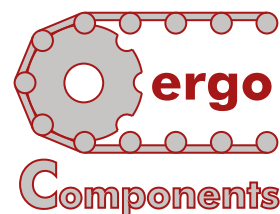
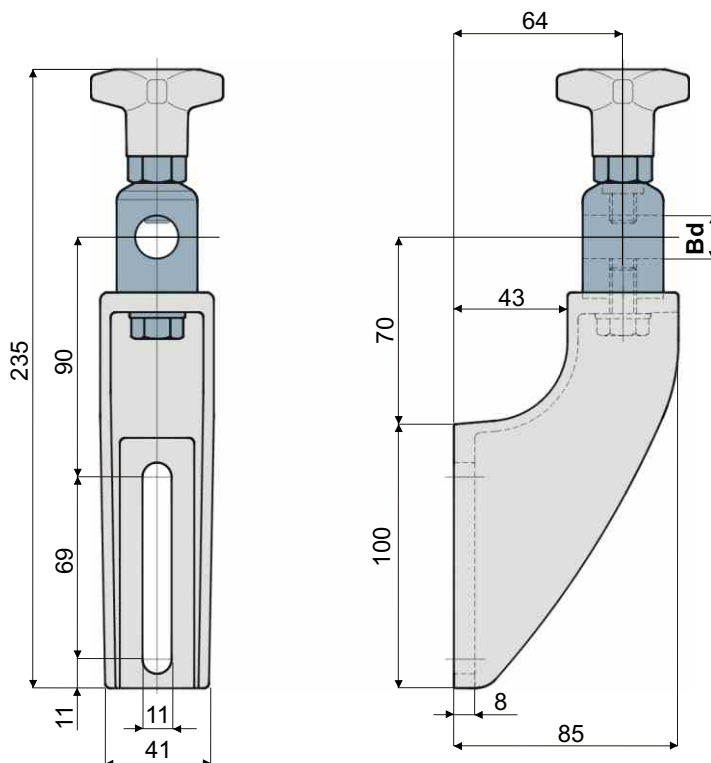
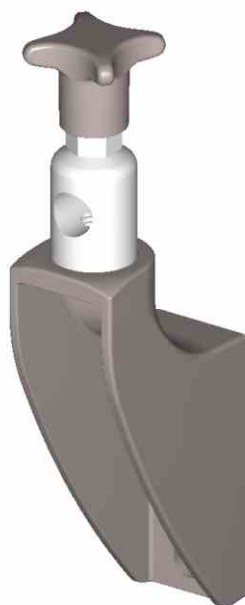


Guide rail bracket

(with metal adjustable head)



Part. 218



Bd Bore for pins of (mm)	Head made out of nickel plated brass	Head made out of stainless steel
14 - 16	Code/Codice 218 / 80662	Code/Codice 218 / 80663

MATERIALS: Bracket and knob made out of reinforced polyamide, head made out of stainless steel AISI 304 or nickel plated brass, exagonal insert made out of nickel plated brass, screw and washer made out of stainless steel AISI 304.

FEATURES: Possibility to use pins with diameter 14 and 16 mm. Max tightening torque 4 kgm.

PACKAGING: 24 pieces.

ON REQUEST:

Brackets: In reinforced polypropylene, other colours.

Packaging: Not standard.