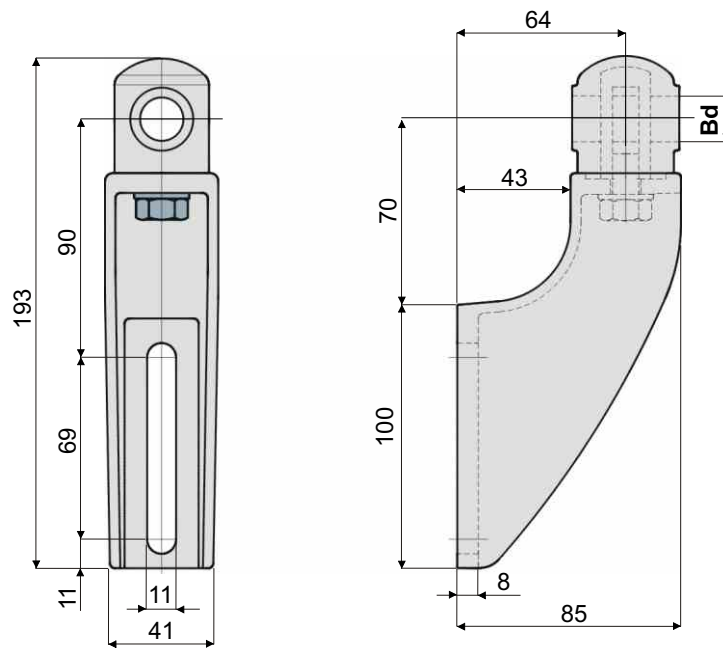


Guide rail bracket (with adjustable head)

Part. 219



Bd Bore for pin of (mm)	Code/Codice
12	219 / 80664
14	219 / 80665
16	219 / 80666

MATERIALS: Bracket and head made out of reinforced polyamide, eyebolt made out of nickel plated brass, nut and washer made out of stainless steel AISI 304.

FEATURES: Max tightening torque 4 kgm.

PACKAGING: 24 pieces.

ON REQUEST:

Brackets: In reinforced polypropylene, other colours.

Packaging: Not standard.