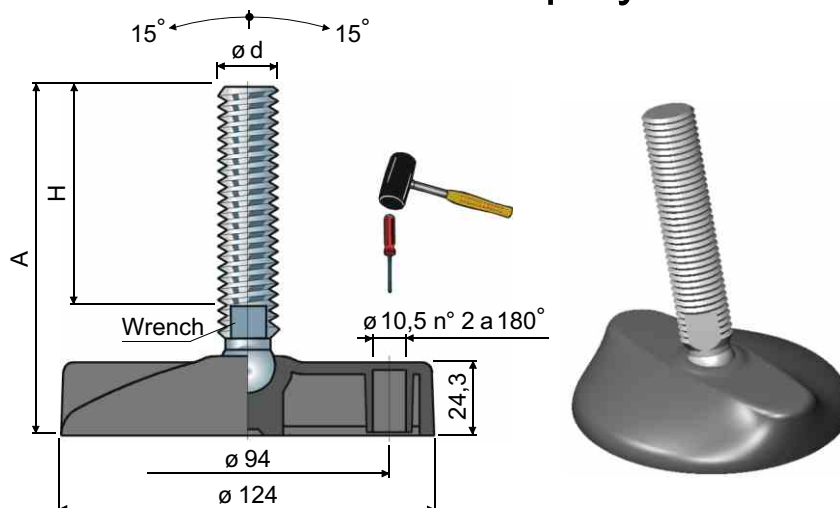


Articulated feet base in reinforced polyamide

Part. **45** $\varnothing 124$



$\varnothing d$	A mm	H mm	Wrench mm	Spindle in zinc plated steel	Spindle in stainless steel AISI 304	Max static load N
				Code/Codice	Code/Codice	
M16	104	60	13	45 / 7132	45 / 7133	25000
	134	90	13	45 / 7486	45 / 7487	
	149	105	13	45 / 7134	45 / 7135	
	169	125	13	45 / 7136	45 / 7137	
	199	155	13	45 / 7488	45 / 7489	
	209	165	13	45 / 7138	45 / 7139	
M20	134	86	17	45 / 7140	45 / 7141	27000
	164	116	17	45 / 7142	45 / 7143	
	189	141	17	45 / 7144	45 / 7145	
	254	206	17	45 / 7146	45 / 7147	
M24	144	96	19	45 / 7490	45 / 7491	29000
	170	122	19	45 / 7148	45 / 7149	
	200	152	19	45 / 7150	45 / 7151	
	230	182	19	45 / 7152	45 / 7153	
	348	300	19	45 / 7496	45 / 7497	

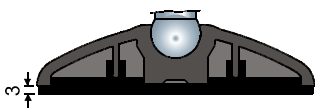
Base material: reinforced polyamide.

Packaging: 8 pieces.

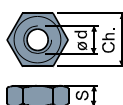
Accessories

Anti-slip pads:

- code: 7268;
- material: PVC rubber (black);
- packaging: 8 pieces.

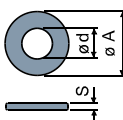


Nuts UNI 5588-65 - Packaging: 24 pieces.



$\varnothing d$	M16	M20	M24
Smm	13	16	19
Ch. mm	24	30	36
Zinc plated steel code	7275	7276	7279
Stainless steel code	7277	7278	7280

Washers UNI 6592-69 - Packaging: 24 pieces.



$\varnothing d$ mm	17	21	25
Smm	3	3	4
$\varnothing A$ mm	30	37	44
Zinc plated steel code	7289	7290	7293
Stainless steel code	7291	7292	7294

On request

Bases: In reinforced polypropylene • other colours • with prebored fixing holes.

Spindles with: Sunk hexagon head • second wrench seat head • hexagon wrench seat • threads with other pitches and lengths.

Packaging: not standard.

Assembling of: Anti-slip pads • nuts • washers.