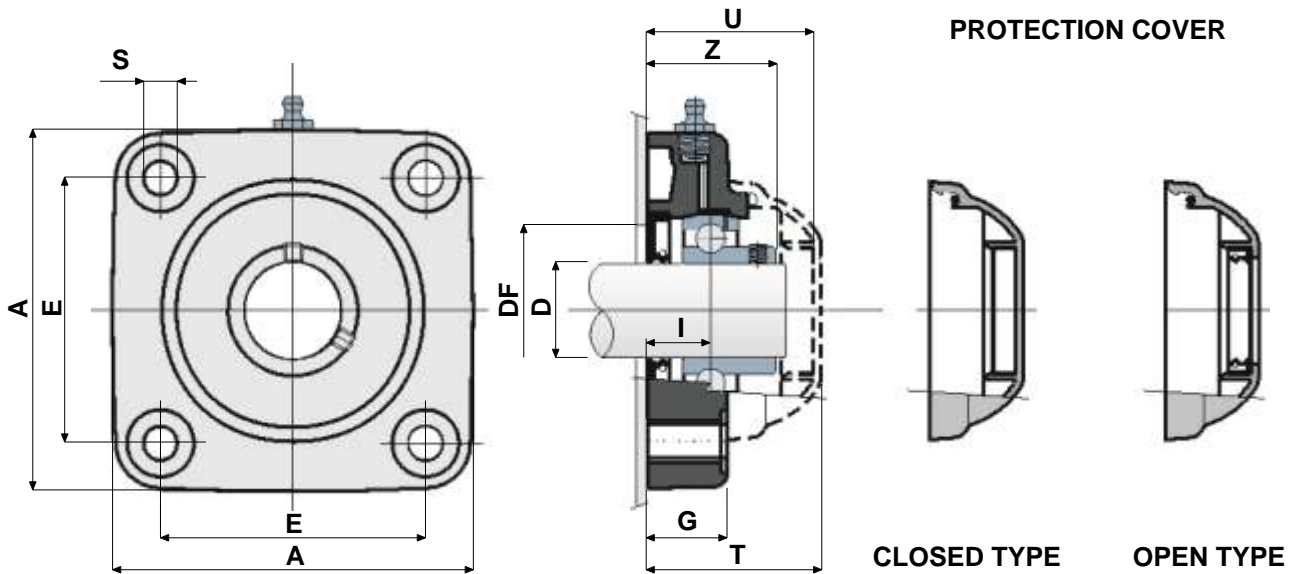


Technical data

UCF/CX Series



CROME STEEL BEARING

D	SERIES	CODES Support	DIMENSIONS (mm)										Bearing load (N)		Bearing support load (N)	CODES Cover	
			E	A	S	G	I	Z	U	T	DF Max	DF Min	C	C ₀		CLOSED TYPE	OPEN TYPE
20	UCF 204 CX	80252	63.5	90	10.5	19	15.5	33.5	44	46.5	45	40	12800	6600	16500	80254	80255
25	UCF 205 CX	80175	70	99	10.5	22	17	36	47	49	50	45	14000	7800	17000	80075	80076
30	UCF 206 CX	80176	83	113	10.5	26	20	41	54	56	60	50	19500	11300	17500	80011	80053
35	UCF 207 CX	80177	92	122	10.5	26	20	45	57	59	70	55	25500	15300	18000	80077	80078
40	UCF 208 CX	80253	102	133	10.5	26	19.5	48.5	65	68	78	65	32500	19800	18000	80256	80257
40	MUCF 208 CX	80701	83	113	10.5	26	19.5	48.5	65	68	78	65	32500	19800	18000	80256	80257

NEW

STAINLESS STEEL BEARING AISI 440C

D	SERIES	CODES Support	DIMENSIONS (mm)										Bearing load (N)		Bearing support load (N)	CODES Cover	
			E	A	S	G	I	Z	U	T	DF Max	DF Min	C	C ₀		CLOSED TYPE	OPEN TYPE
20	UCF 204 CX	81047	63.5	90	10.5	19	15.5	33.5	44	46.5	45	40	8300	6550	16500	80254	80255
25	UCF 205 CX	81049	70	99	10.5	22	17	36	47	49	50	45	9150	7800	17000	80075	80076
30	UCF 206 CX	81050	83	113	10.5	26	20	41	54	56	60	50	12500	11200	17500	80011	80053
35	UCF 207 CX	81051	92	122	10.5	26	20	45	57	59	70	55	16600	15300	18000	80077	80078
40	UCF 208 CX	80561	102	133	10.5	26	19.5	48.5	65	68	78	65	20000	19000	18000	80256	80257
40	MUCF 208 CX	81043	83	113	10.5	26	19.5	48.5	65	68	78	65	20000	19000	18000	80256	80257

MATERIALS : Support made out of PA+glass fiber; chrome steel or stainless steel bearing; greaser made out of nickel plated brass; reinforcement bushings and washers made out of stainless steel AISI 304; gaskets made out of NBR rubber; cover made out of polypropylene, grey colour RAL 7042.

FEATURES: The difference from UCF/C series is lack of protection cover which can be ordered separately as an accessory. Assembly with not shouldered shafts.
Maximum shaft alignment error 2.5°.

PACKAGING: 8 pieces.

ON REQUEST : Antibacterial executions and versions with polypropylene + glass fiber support; protection cover in different colours and with personalized brand.