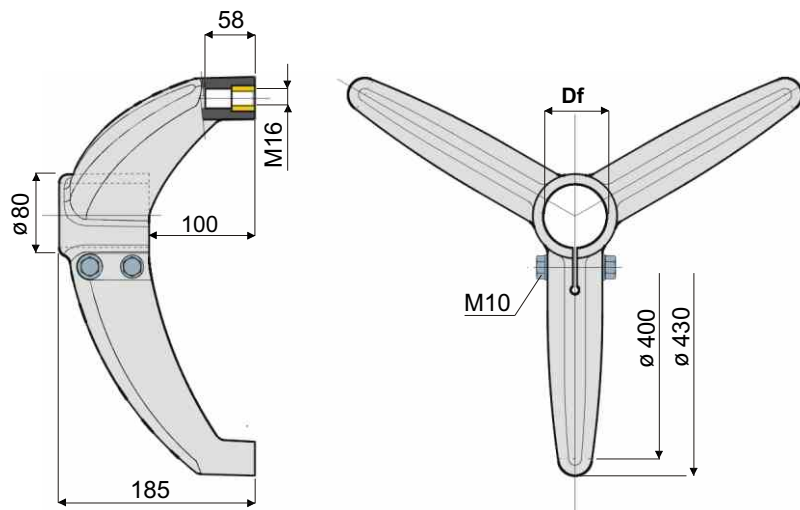


Support base (tripod)

Part. 200



Bore for tubes of (mm) (Inches)	Bd	Zinc plated bolts and nuts	Stainless steel bolts and nuts (AISI 304)	Tube unthreading load N	Max static load allowed N
		Code/Codice	Code/Codice		
60,3	2"	200 / 80588	200 / 80589	9600	15800
48,3	1"1/2	200 / 80590	200 / 80591		
42,4	1"1/4	200 / 80592	200 / 80593		
45x45	square tube	200 / 80271	200 / 80753		

MATERIALS: Base made out of reinforced polyamide, threaded bushing made out of brass, fixing bolts and nuts made out of stainless steel or zinc plated steel.

FEATURES: Max tightening torque 3,6 kgm

PACKAGING: 8 pieces.

ON REQUEST:

Bases: In reinforced polypropylene, other colours.

Packaging: Not standard

Assembling of: Screws, nuts, washers