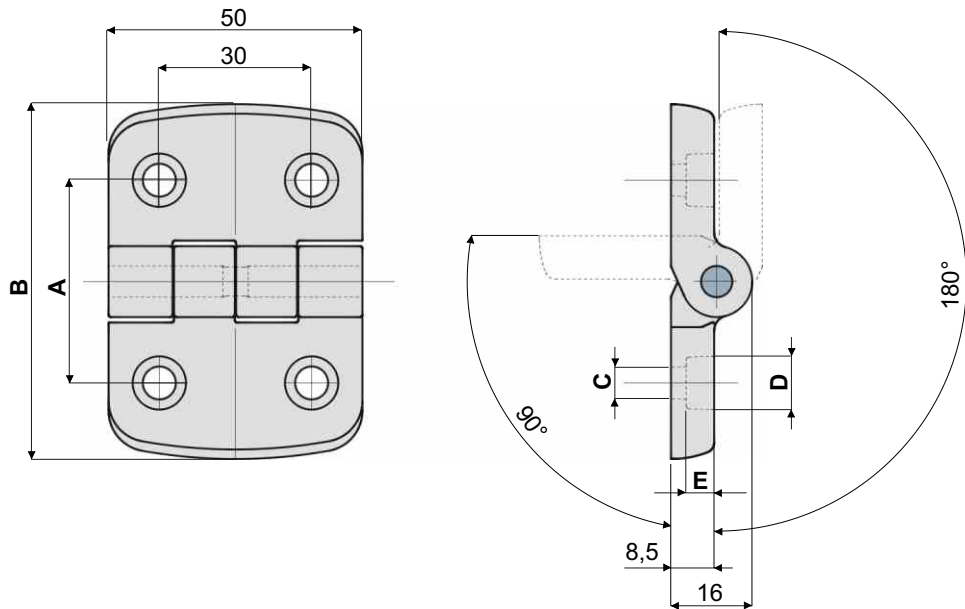


Hinge

Part. **233**



A	B	C	D	E	Code/Codice
(mm)					
31	50	5,5	9	5	233 / 80772
40	70	6,5	10,5	6	233 / 80773
46	70	6,5	10,5	6	233 / 80774
46	70	8,5	13,5	5	233 / 80775

MATERIALS: Hinge made out of reinforced polyamide, pin made out of stainless steel.

FEATURES: Maximum rotation 270°

PACKAGING: 24 pieces.

ON REQUEST:

Hinges: In reinforced polypropylene, other colours.

Packaging: Not standard.