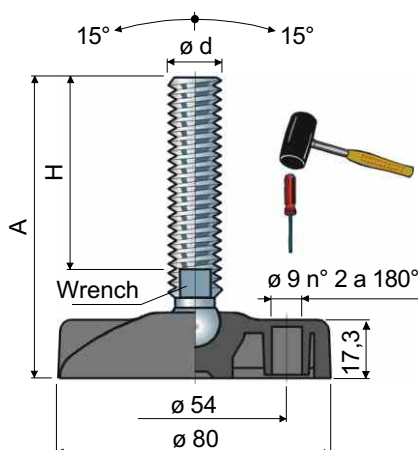


Articulated feet base in reinforced polyamide

Part. **25** **∅ 80**



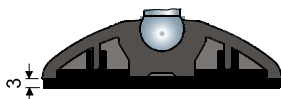
∅ d	A mm	H mm	Wrench mm	Spindle in zinc plated steel	Spindle in stainless steel AISI 304	Max static load N
				Code/Codice	Code/Codice	
M8	74	45	6	25 / 7456	25 / 7457	12000
	94	65	6	25 / 7458	25 / 7459	
	136	107	6	25 / 7902	25 / 7903	
M10	66	35	8	25 / 7070	25 / 7071	14000
	101	70	8	25 / 7072	25 / 7073	
	146	115	8	25 / 7074	25 / 7075	
M12	76	43	10	25 / 7076	25 / 7077	15000
	96	63	10	25 / 7078	25 / 7079	
	111	77	10	25 / 7460	25 / 7461	
	126	93	10	25 / 7080	25 / 7081	
	156	123	10	25 / 7082	25 / 7083	
M14	96	61	12	25 / 7084	25 / 7085	16000
	126	91	12	25 / 7086	25 / 7087	
	151	116	12	25 / 7892	25 / 7893	
	97	60	13	25 / 7088	25 / 7089	
M16	127	90	13	25 / 7462	25 / 7463	19000
	142	105	13	25 / 7090	25 / 7091	
	162	125	13	25 / 7092	25 / 7093	
	192	155	13	25 / 7464	25 / 7465	
	202	165	13	25 / 7094	25 / 7095	
M20	127	86	17	25 / 7096	25 / 7097	21000
	157	116	17	25 / 7098	25 / 7099	
	182	141	17	25 / 7100	25 / 7101	
	247	206	17	25 / 7102	25 / 7103	
M24	137	96	19	25 / 7466	25 / 7467	23000
	163	122	19	25 / 7104	25 / 7105	
	193	152	19	25 / 7106	25 / 7107	
	223	182	19	25 / 7108	25 / 7109	
	341	300	19	25 / 7472	25 / 7473	

Base material: reinforced polyamide.
Packaging: 24 pieces.

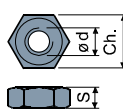
Accessories

Anti-slip pads:

code: 7266;
material: PVC rubber (black);
packaging: 24 pieces.

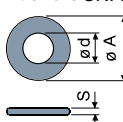


Nuts UNI 5588-65 - Packaging: 24 pieces.



∅ d	M8	M10	M12	M14	M16	M20	M24
Smm	6,5	8	10	11	13	16	19
Ch. mm	13	17	19	22	24	30	36
Zinc plated steel code	7634	7269	7270	7271	7275	7276	7279
Stainless steel code	7635	7272	7273	7274	7277	7278	7280

Washers UNI 6592-69 - Packaging: 24 pieces.



∅ d mm	8,4	10,5	13	15	17	21	25
Smm	1,6	2	2,5	2,5	3	3	4
∅ A mm	17	21	24	28	30	37	44
Zinc plated steel code	7636	7283	7284	7285	7289	7290	7293
Stainless steel code	7637	7286	7287	7288	7291	7292	7294

On request

Bases: In reinforced polypropylene • other colours • with prebored fixing holes.
Spindles with: Sunk hexagon head • second wrench seat head • hexagon wrench seat • threads with other pitches and lengths.
Packaging: not standard.
Assembling of: Anti-slip pads • nuts • washers.