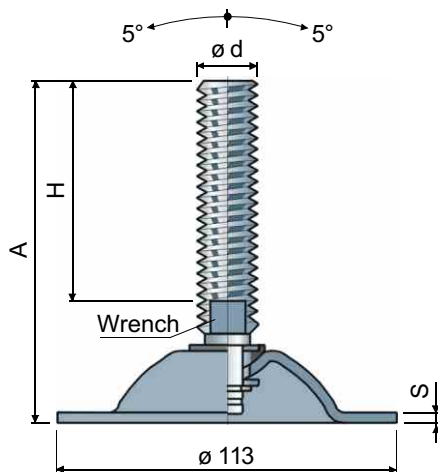


# Articulated feet base in steel

Part. **98** Ø**113**



Ø d	A mm	H mm	Wrench mm	Spindle and base in zinc plated steel	Spindle and base in stainless steel AISI 304	Max static load N
				Code/Codice	Code/Codice	
<b>M16</b>	100	58	13	<b>98 / 7584</b>	<b>98 / 7585</b>	15000 (Zinc plated) S = 3,5
	161	119	13	<b>98 / 7918</b>	<b>98 / 7919</b>	
	187	145	13	<b>98 / 7586</b>	<b>98 / 7587</b>	
	243	201	13	<b>98 / 7588</b>	<b>98 / 7589</b>	
<b>M20</b>	152	107	17	<b>98 / 7590</b>	<b>98 / 7591</b>	
	180	135	17	<b>98 / 7592</b>	<b>98 / 7593</b>	
	202	157	17	<b>98 / 7594</b>	<b>98 / 7595</b>	
<b>M24</b>	138	90	19	<b>98 / 7596</b>	<b>98 / 7597</b>	10000 (AISI 304) S = 3
	175	127	19	<b>98 / 7598</b>	<b>98 / 7599</b>	
	210	162	19	<b>98 / 7600</b>	<b>98 / 7601</b>	
<b>M30</b>	173	125	24	<b>98 / 7602</b>	<b>98 / 7603</b>	
	233	185	24	<b>98 / 7604</b>	<b>98 / 7605</b>	

Packaging: 8 pieces.

## Accessories

Nuts UNI 5588-65 - Packaging: 24 pieces.

Ø d	M16	M20	M24	M30
Smm	13	16	19	24
Ch. mm	24	30	36	46
Zinc plated steel code	7275	7276	7279	7281
Stainless steel code	7277	7278	7280	7282

Washers UNI 6592-69 - Packaging: 24 pieces.

Ø d mm	17	21	25	31
Smm	3	3	4	4
Ø A mm	30	37	44	56
Zinc plated steel code	7289	7290	7293	7295
Stainless steel code	7291	7292	7294	7296

## On request

Spindles with: Sunk hexagon head • second wrench seat head • hexagon wrench seat • threads with other pitches and lengths.

Packaging: not standard.

Assembling of: nuts • washers.