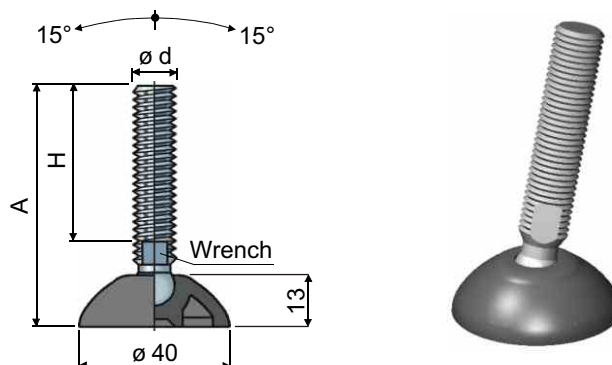


Articulated feet base in reinforced polyamide.

Part. **10** **Ø40**



$\varnothing d$	A mm	H mm	Wrench mm	Spindle in zinc plated steel	Spindle in stainless steel AISI 304	Max static load N
				Code/Codice	Code/Codice	
M8	68	45	6	10 / 7390	10 / 7391	10000
	88	65	6	10 / 7392	10 / 7393	
	130	107	6	10 / 7894	10 / 7895	
M10	60	35	8	10 / 7000	10 / 7001	11000
	95	70	8	10 / 7002	10 / 7003	
	140	115	8	10 / 7004	10 / 7005	
M12	70	43	10	10 / 7006	10 / 7007	12000
	90	63	10	10 / 7008	10 / 7009	
	105	77	10	10 / 7394	10 / 7395	
	120	93	10	10 / 7010	10 / 7011	
	150	123	10	10 / 7012	10 / 7013	
M14	90	61	12	10 / 7014	10 / 7015	13000
	120	91	12	10 / 7016	10 / 7017	
	145	116	12	10 / 7690	10 / 7691	

Base material: reinforced polyamide.

Packaging: 24 pieces.

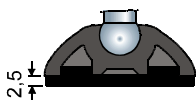
Accessories

Anti-slip pads:

- code: 7263;

material: PVC rubber (black);

packaging: 24 pieces.

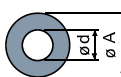


Nuts UNI 5588-65 - Packaging: 24 pieces.



$\varnothing d$	M8	M10	M12	M14
Smm	6,5	8	10	11
Ch. mm	13	17	19	22
Zinc plated steel code	7634	7269	7270	7271
Stainless steel code	7635	7272	7273	7274

Washers UNI 6592-69 Packaging: 24 pieces.



$\varnothing d$ mm	8,4	10,5	13	15
Smm	1,6	2	2,5	2,5
$\varnothing A$ mm	17	21	24	28
Zinc plated steel code	7636	7283	7284	7285
Stainless steel code	7637	7286	7287	7288

On request

Bases: In reinforced polypropylene • other colours.

Spindles with: Sunk hexagon head • second wrench seat head • hexagon wrench seat • threads with other pitches and lengths.

Packaging: not standard.

Assembling of: Anti-slip pads • nuts • washers.